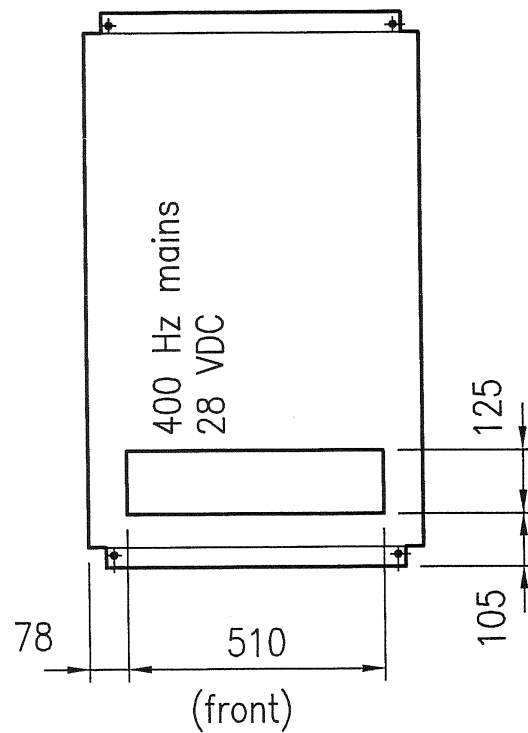
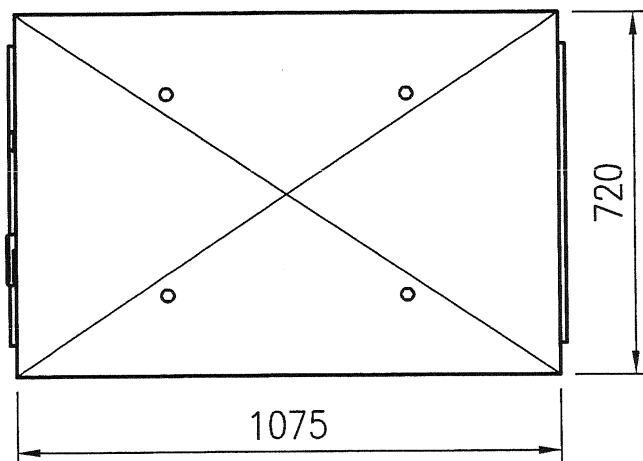



Foundation plan



	Smedebakken 31-33 DK-5270 Odense N	Stand-Alone configuration For 400 Hz input	Page: 1/1
		Type: <b>AXA 2200</b>	
Drawn: 070302 uv	Approved: SD	Scale: (A4) 1:15	Revised: 170402 / RZ
		Rev.: A	Drg.no.: 143.075