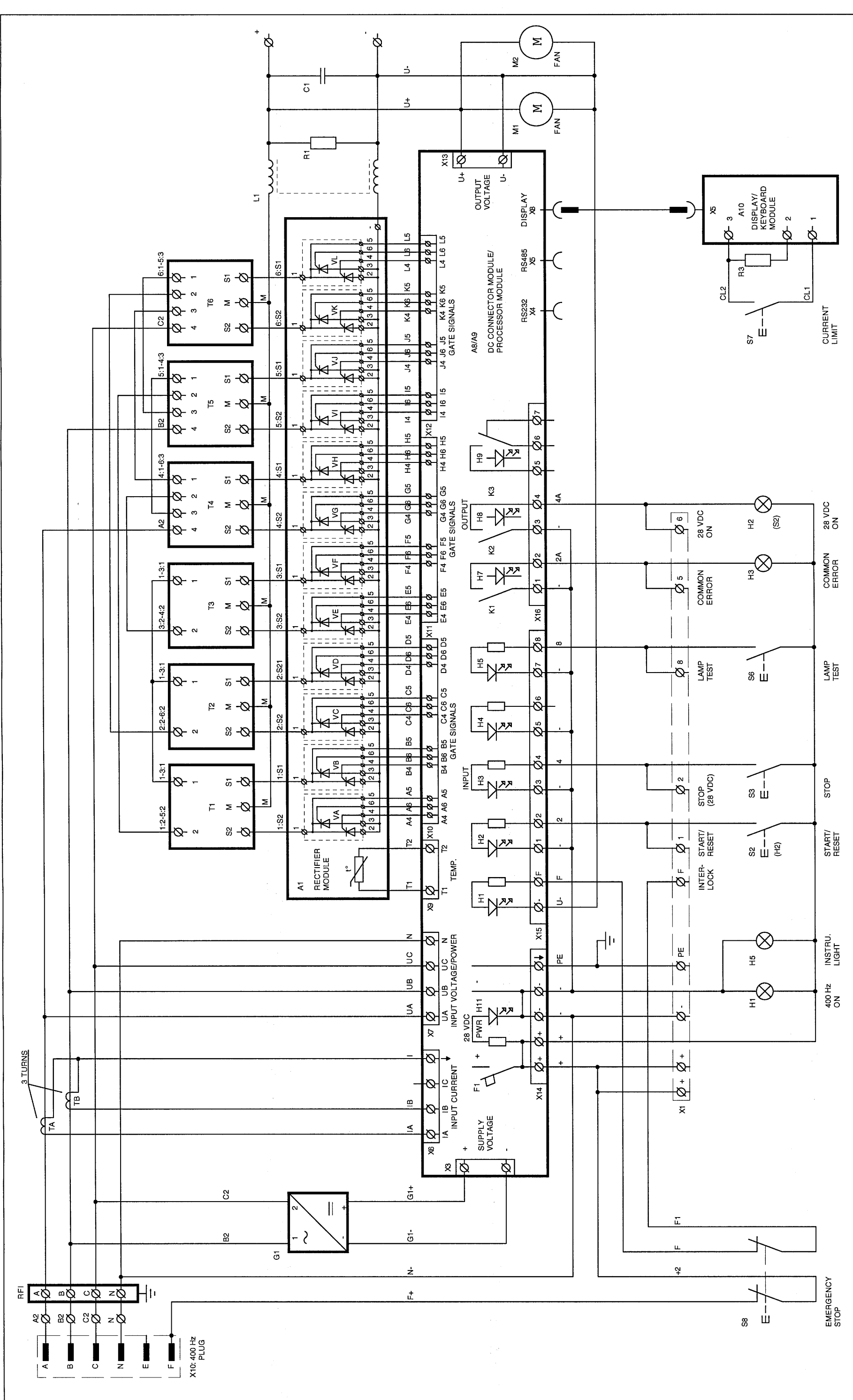


PLEASE NOTE:
 * LOCATED IN SAME CONTACT BLOCK.
 ** X1:2 & X2:2 MUST BE ACTIVATED SIMULTANEOUSLY TO STOP THE 28 VDC.

AXA Smedebakken 31-33
 DK-5270 Odense N

Type: **3GT- AXA2200 28/600**
 Drawn: 19.10.01 RA
 Approved: RA
 Scale: A3
 Revised: 150402/RA, 140203/RA, 141204/RA
 Rev.: C

Add-On Version
 Title: **Main Circuit and Instrumentation**
 Page: 1 (2)
 Drg.no.: **443.350**



Smedebakken 31-33
DK-5270 Odense N

Stand-Alone Version

Type:	3GT- AXA2200 28/600	Scale:	A3	Revised:	150402/RA, 141204/RA	Drg.no.:	443.350
Drawn:	19.10.01 RA	Approved:	RA	Rev.:	C	Page:	2 (2)
Title: Main Circuit and Instrumentation							